

B.TECH. DEGREE EXAMINATION, MAY 2014

Fourth Semester

Branch : Automobile Engineering/Mechanical Engineering/Production Engineering

AU 010 405/ ME 010 405/ PE 010 405—MACHINE DRAWING (AU, ME, PE)

(New Scheme—2010 Admission onwards)

[Regular/Improvement/Supplementary]



Time : Three Hours

Maximum : 100 Marks

Answer all questions.

Missing dimensions, if any may be assumed.

Drawing sheets are to be supplied.

- I. (a) With suitable example discuss the different types of fits and their selection.
- (b) With neat sketch explain conventional representation of welded joint.

(10 marks)

II. Answer (a) or (b)

(a) A Strap Joint with Gib and Cotter is shown in Fig. 1. Draw to a suitable scale :

(i) The elevation with top half in section.

(ii) End view.

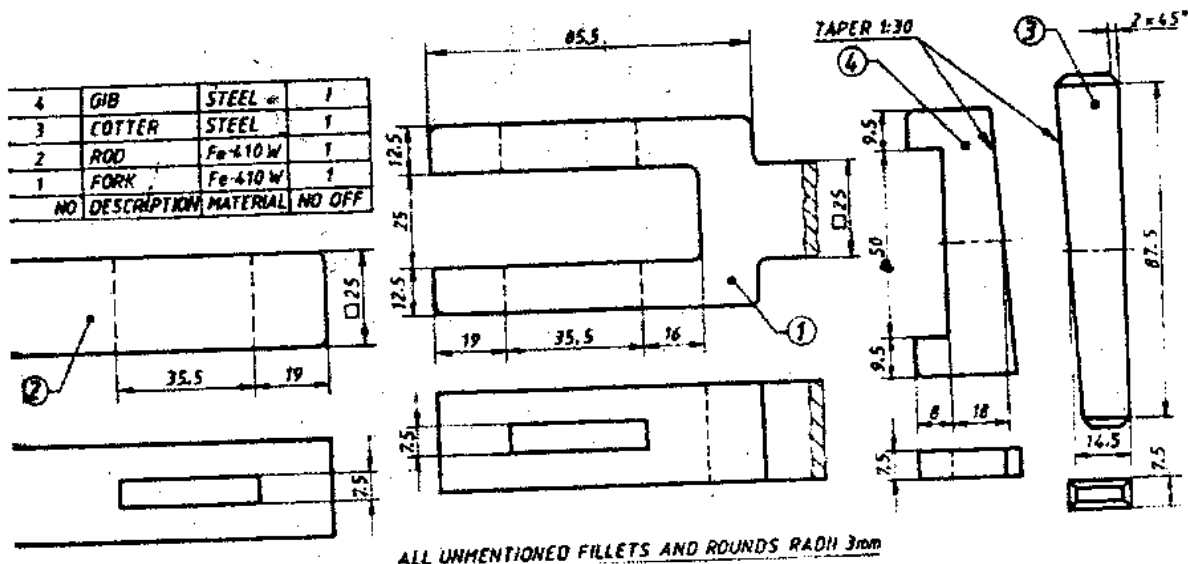


Fig. 1. Details of Strap Joint with Gib and Cotter

(30 marks)

Turn over

(b) A Flanged Coupling--Protected Type is shown in Fig. 2. Draw to a suitable scale :

(i) The elevation with top half in section.

(ii) End view.

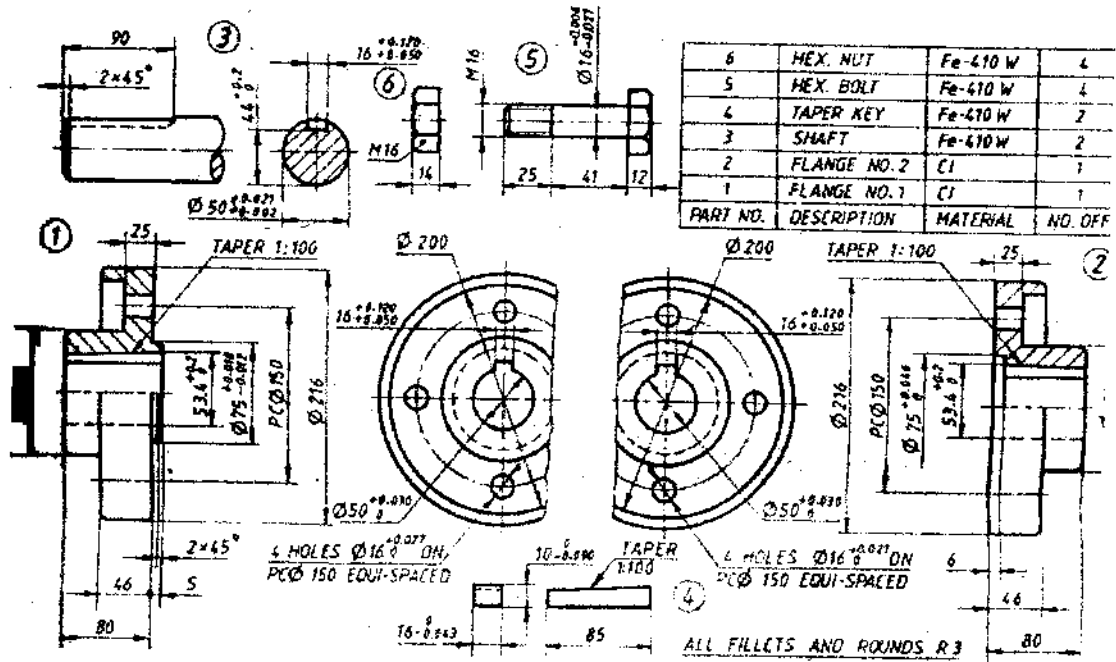
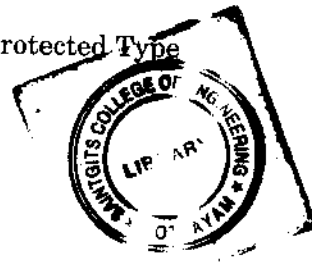
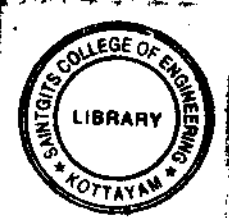


Fig. 2. Details of Flanged Coupling--Protected Type



(30 marks)



III. The Fig. 3 shows the details of Screw Jack. Assemble the components and draw the following views:

(a) Full sectional front view. (40 marks)

(b) Top view (20 marks)

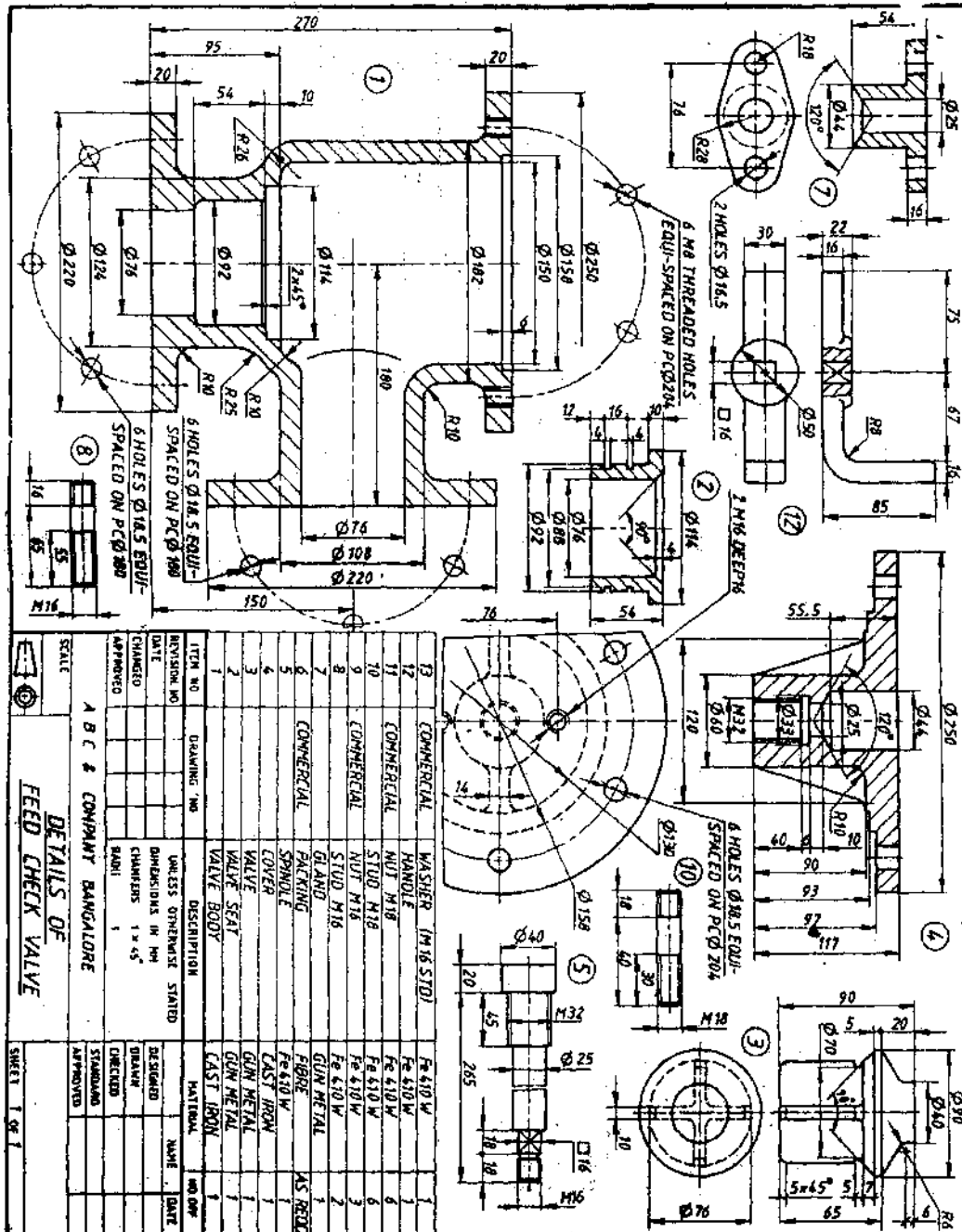


Fig. 3 Shows the details of Feed Check valves.