

G 575

(Pages : 3)

Reg. No.....

Name.....

B.TECH. DEGREE EXAMINATION, MAY 2014

Fourth Semester

Branch : Mechanical Engineering

MACHINE DRAWING—II (M)

(Old Scheme—Prior to 2010 Admissions)

[Supplementary/Mercy Chance]



Time : Four Hours

Maximum : 100 Marks

Answer all questions.

Missing data, if any, may be suitably assumed.

1. Fig. 1 (on page 2) shows the details of components of a connecting rod and (box type). Assemble the components and draw the following views :—
 - (a) Front view, right half in section. (20 marks)
 - (b) Side view. (20 marks)

2. Details of a large eccentric (split sheave type) are shown in Fig. 2. (on page 3). Assemble the parts and prepare :—
 - (a) A top half-sectional front view. (40 marks)
 - (b) Full plan. (20 marks)

Turn over

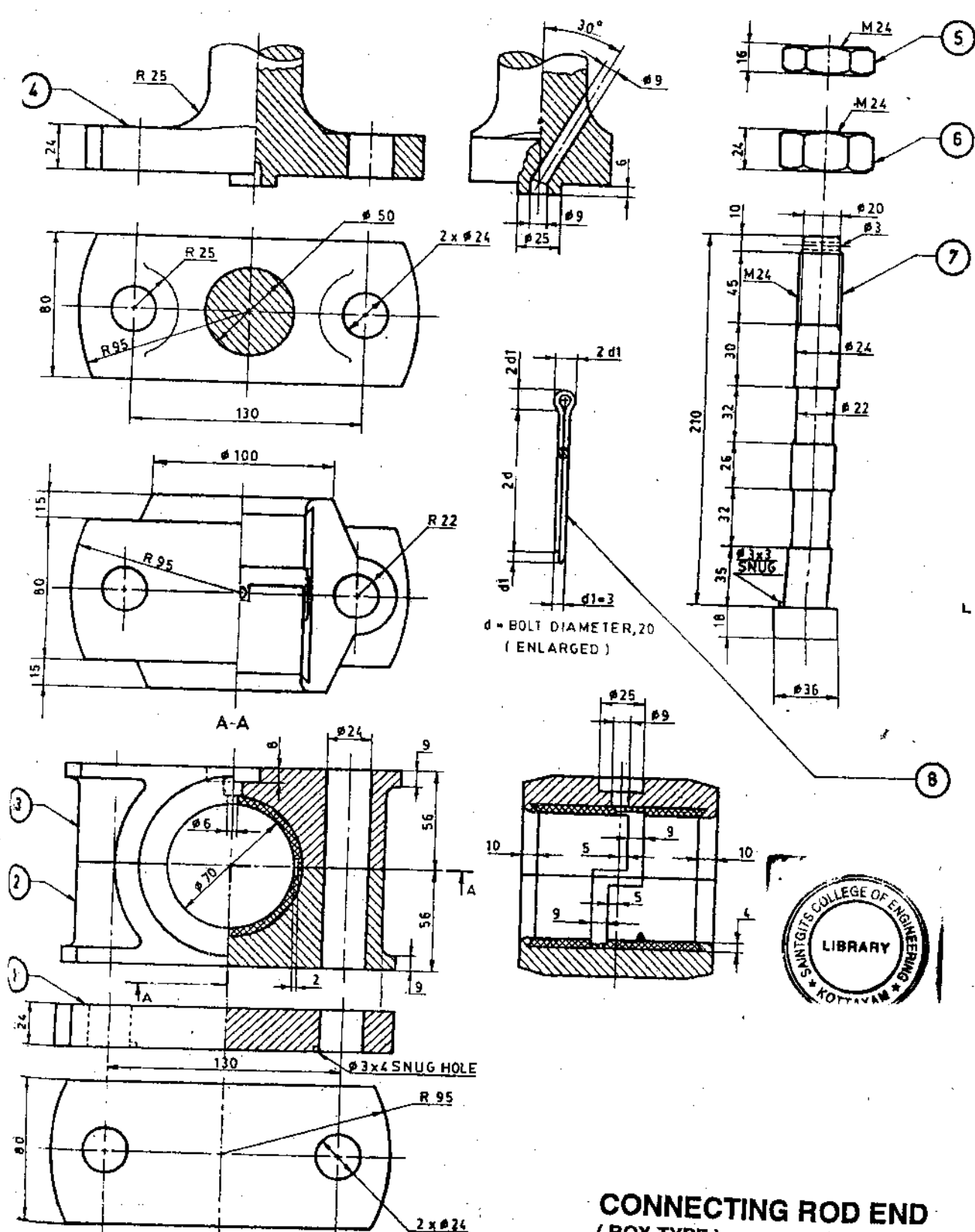
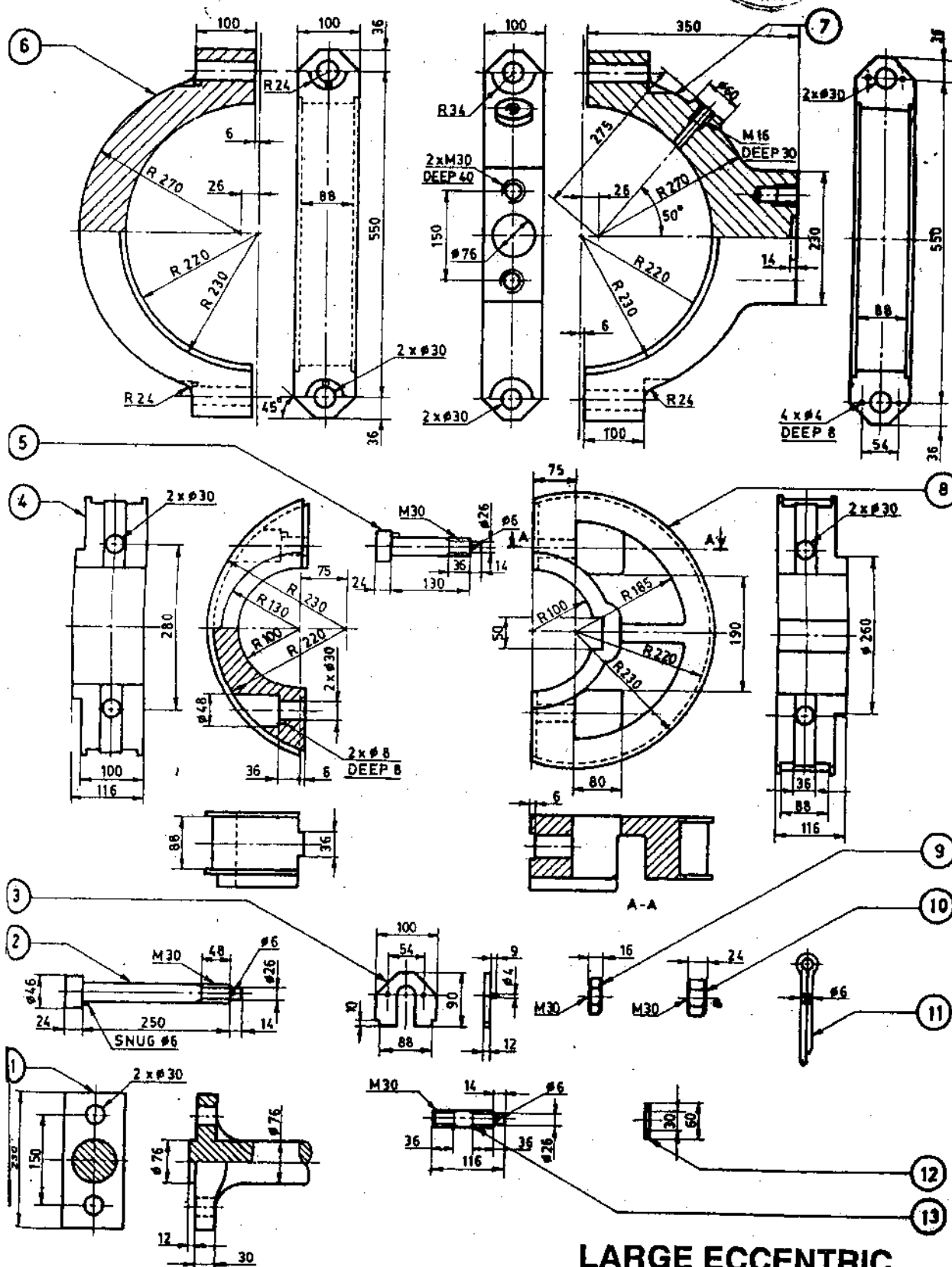


Fig. 1

CONNECTING ROD END (BOX TYPE)





LARGE ECCENTRIC
(SPLIT SHEAVE TYPE)

Fig. 2